



**27" IPS panel Technology, edge-to-edge monitor featuring WQHD resolution**

The elegant 3-side borderless design makes the ProLite XU2792QSU perfect for multi-monitor set-ups. The IPS panel offers accurate and consistent colour reproduction with wide viewing angles and the WQHD (2560 x 1440) resolution means the XU2792QSU can accommodate almost 77% more information on the screen than a Full HD display. High contrast and brightness values guarantee the monitor will provide excellent performance for photographic and web design. It is a great choice for both multi-monitor office applications and more specific design applications.

Available also with height adjustable stand: [ProLite XUB2792QSU-B1 \(2560x1440\)](#), [ProLite XUB2792UHSU-B1 \(3840x2160\)](#) and [ProLite XUB2792HSU-B1 \(1920x1080\)](#)



WQHD

With true WQHD 2560 x 1440p resolution your monitor is ready to display high definition images. This means you can accommodate more information on your screen, i.e. over 76% more in comparison to a 1920 x 1080 monitor.



IPS Technology

IPS displays are best known for wide viewing angles and natural, highly accurate colours. They are especially suited for colour-critical applications.

## 01 DISPLAY CHARACTERISTICS

Design	ultra slim
Diagonal	27", 68.5cm
Panel	IPS LED, matte finish
Native resolution	2560 x 1440 @70Hz (DisplayPort, 3.7 megapixel WQHD)
Aspect ratio	16:9
Brightness	350 cd/m <sup>2</sup> typical
Static contrast	1000:1 typical
Advanced contrast	80M:1
Response time (GTG)	5ms
Viewing zone	horizontal/vertical: 178°/178°, right/left: 89°/89°, up/down: 89°/89°
Colour support	1.07B 10bit (8bit + Hi-FRC) (sRGB: 100%, NTSC 77%)
Horizontal Sync	30 - 89kHz
Viewable area W x H	596.7 x 335.7mm, 23.5 x 13.2"
Pixel pitch	0.233mm
Colour	matte, black

## 02 INTERFACES / CONNECTORS / CONTROLS

Signal input	DVI x1 (max. 2560 x 1440 @60Hz) HDMI x1 (max. 2560 x 1440 @60Hz) DisplayPort x1 (max. 2560 x 1440 @70Hz)
USB HUB	x2 (v.3.0 DC5V, 900mA)
HDCP	yes
Headphone connector	yes

## 03 FEATURES

Blue light reducer	yes
Flicker free	yes
FreeSync support	DisplayPort: 2560x1440 @70Hz
OSD languages	EN, DE, FR, ES, IT, CN, RU, JP, CZ, NL, PL
Control buttons	Power, Menu / Select, + / Volume, - / ECO, Exit, Input
User controls	picture adjust (contrast, brightness, OD, ACR, ECO, blue light reducer), input select, audio adjust (volume, mute, digital audio), colour adjust (cool, normal, warm, user colour, i-Style colour), image adjust (sharpness, video mode adjust), language, setup (OSD position, OSD time out, opening logo, auto power off, FreeSync), display information, reset
Speakers	2 x 2W
Convenience	Kensington-lock™ prepared, DDC2B, Mac OSX

## 04 MECHANICAL

Display position adjustments	tilt
Tilt angle	22° up; 5° down
VESA mounting	100 x 100mm
Cable management system	yes

## 05 ACCESSORIES INCLUDED

Cables	power, USB, HDMI, DP
Other	quick start guide, safety guide

## 06 POWER MANAGEMENT

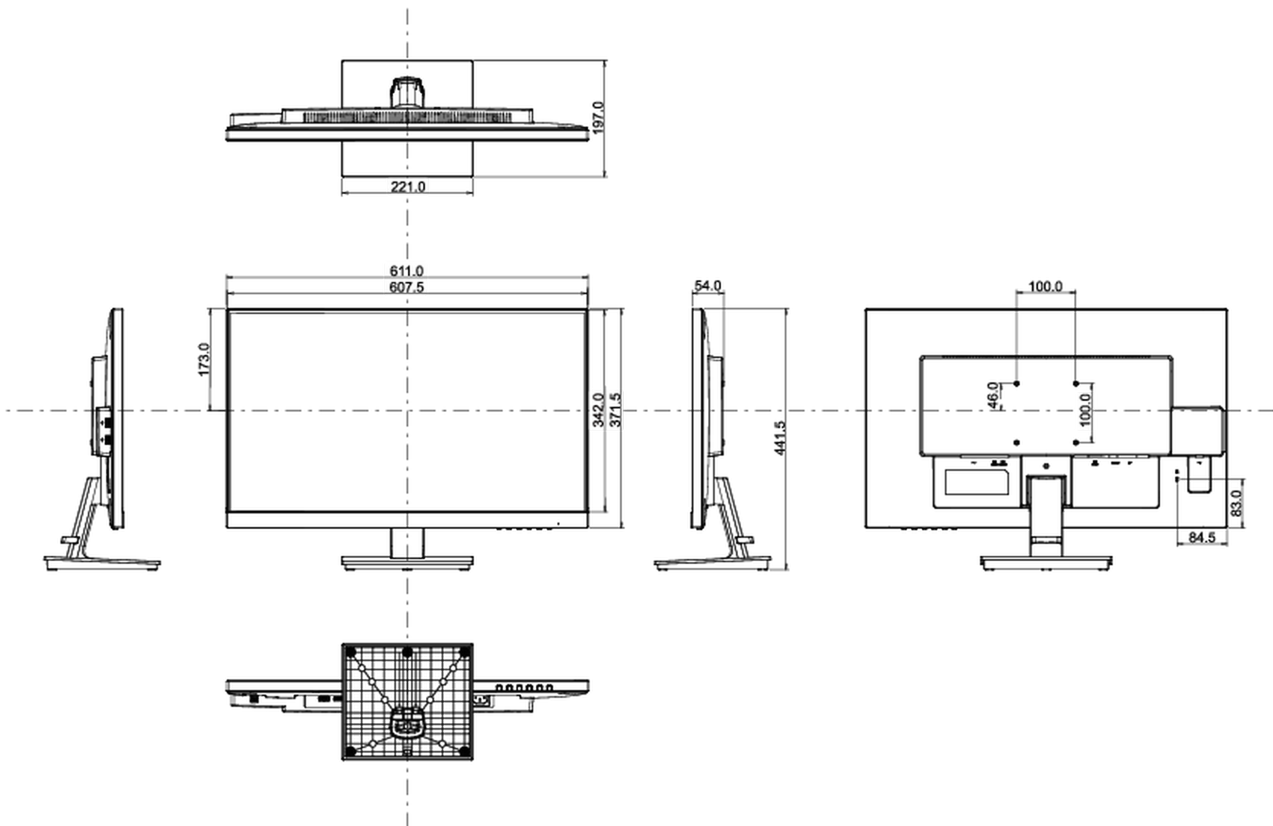
Power supply unit	internal
Power supply	AC 100 - 240V, 50/60Hz
Power usage	33W typical, 0.5W stand by, 0.5W off mode

## 07 SUSTAINABILITY

Regulations	TCO, CE, TÜV-GS, EAC, RoHS support, ErP, WEEE, REACH
Energy efficiency class	A
Other	REACH SVHC above 0.1%: Lead

## 08 DIMENSIONS / WEIGHT

Product dimensions W x H x D	611 x 441.5 x 197mm
Box dimensions W x H x D	690 x 140 x 451mm
Weight (without box)	5kg
Weight (with box)	7kg
EAN code	4948570115204



## 09 EU ENERGY EFFICIENCY LABEL

Manufacturer	iiyama
Model	ProLite XU2792QSU-B1

Energy efficiency class	A
Visible screen diagonal	68cm; 27"; (27" segment)
Annual energy consumption	44kWh/annum*
Power in Standby	0.5W stand by
Power in OFF Mode	0.5W off mode
Resolution	2560 x 1440

*This is information under Regulation (EU) No 1062/2010.\*Based on the power consumption of the television operating 4 hours per day for 365 days. The actual energy consumption will depend on how the television is used.*

*All trademarks and registered trademarks acknowledged. E & O E. Specification subject to change without notice. All LCD's comply with ISO-9241-307:2008 in connection with pixel defects.*

© IIYAMA CORPORATION. ALL RIGHTS RESERVED