

ViewBoard® 65" 4K Interactive Display



IFP6550-3

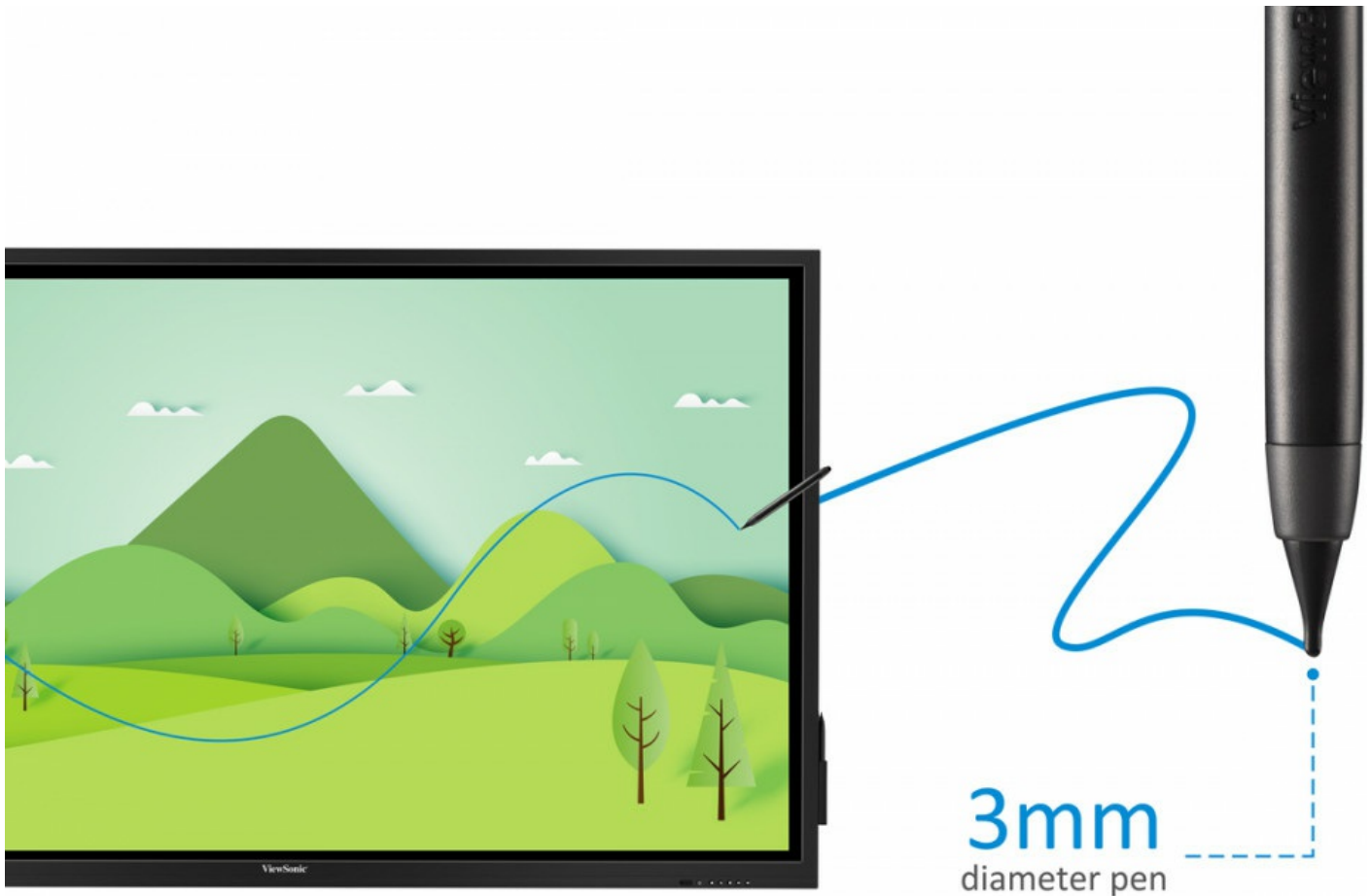


- Intuitive Interactive Interface and Eye-care Certified Display
- Synchronous Writing Performance with Dual Pens
- Lag-free, Pen-on-paper Writing Experience with Ultra Fine Touch Technology
- Native Whiteboarding Tool with built-in myViewBoard® App
- Wireless Content Sharing and 4-way Split Screen with ViewBoard® Cast App

For teachers in the modern classroom, the ViewBoard® IFP50 series has the most intuitive interactive interface. It keeps continuous interaction within the first vision area and keeps everything within comfortable reach. Additionally, it is an eye-care certified display with low blue light and flicker-free at all brightness levels. The ViewBoard® IFP50 series further stands out with synchronous writing performance. You can write smoothly, with the pen that serves as an extension of your fingertips, and simultaneously with the equipped dual pens of different colors and thicknesses. The native built-in whiteboarding tool, myViewBoard®, further helps visualize your ideas with ease. The ViewBoard® IFP50 series is further complimented by wireless content sharing. Students can share their screens to the ViewBoard and vice versa with the built-in ViewBoard® Cast app. It is not limited to one-on-one presentation either. Teachers can advance to do group activities with the 4-way split screen display. Whether you've experienced good or lackluster classroom interaction in the digital whiteboarding world, the ViewBoard® IFP50 series will now allow you to work effortlessly in the classroom.

UFT Technology

Ultra Fine Touch Technology produces a lag-free, pen-on-paper writing experience. Writing accuracy is greatly improved and student-teacher interaction flows more naturally thanks to real-time response rates, dual-pen recognition and our new 3mm tipped pens.



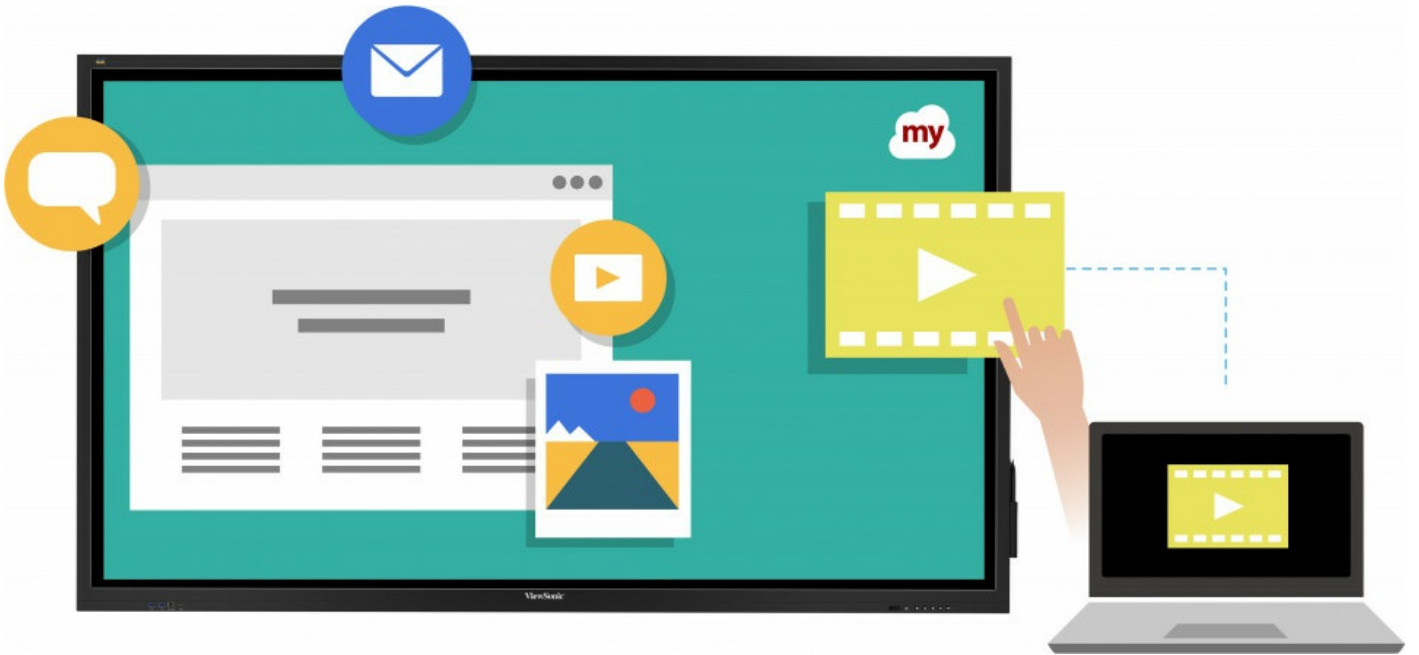
Dual-Pen

Automatically detect pen diameter (8mm & 3mm) and write simultaneously with different colours and thicknesses.



Full Native Performance on ViewBoard OS

Built-in myViewBoard® digital whiteboard software to collaborate on the go.



4-way Split Screen

4-way split-screen content sharing with built-in ViewBoard® Cast software.



Shared USB Ports

SmartPort™ shared front USB ports for internal & external PCs.



Stereo Sound

2.1 Stereo sound with a built-in subwoofer.



Faster Internet

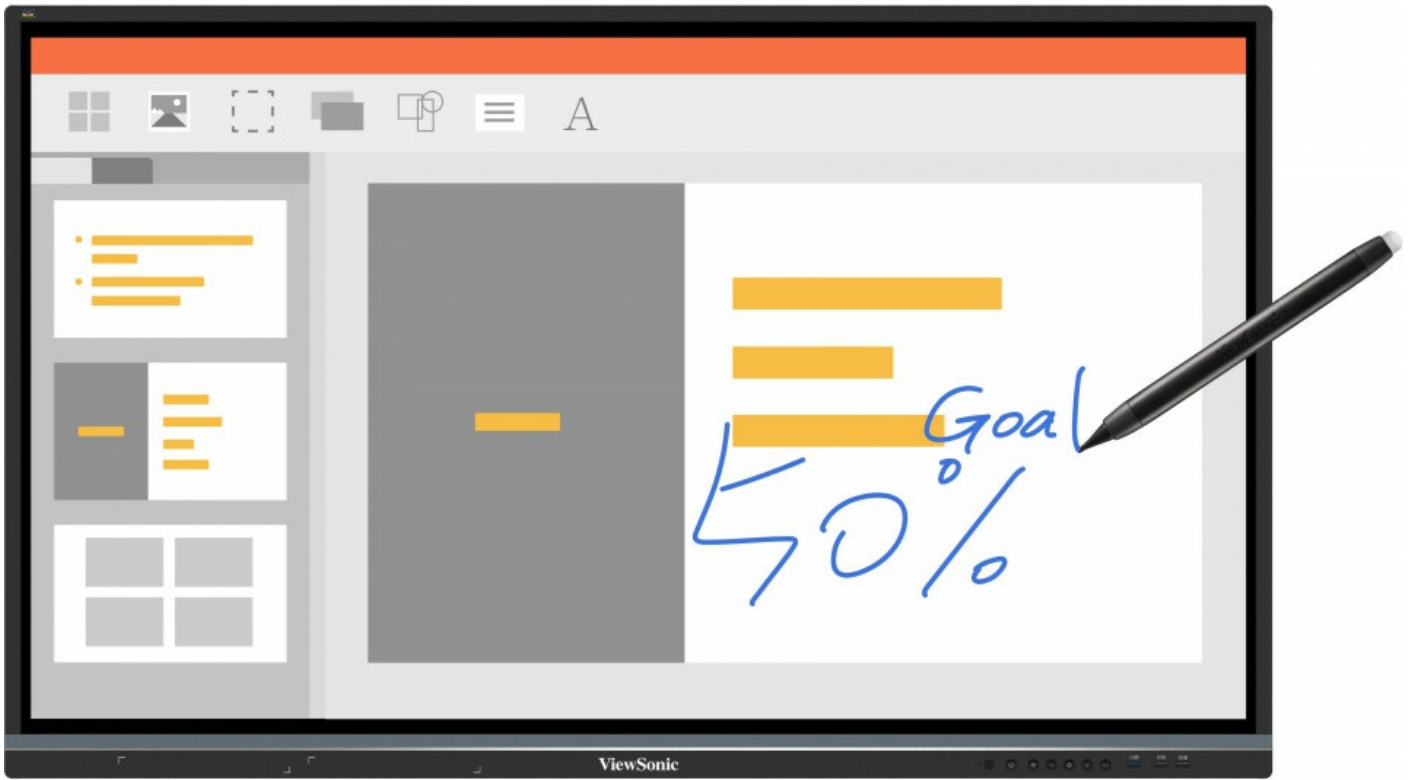
LAN sharing with slot-in PC provides a faster, more powerful internet connection.

LAN Share



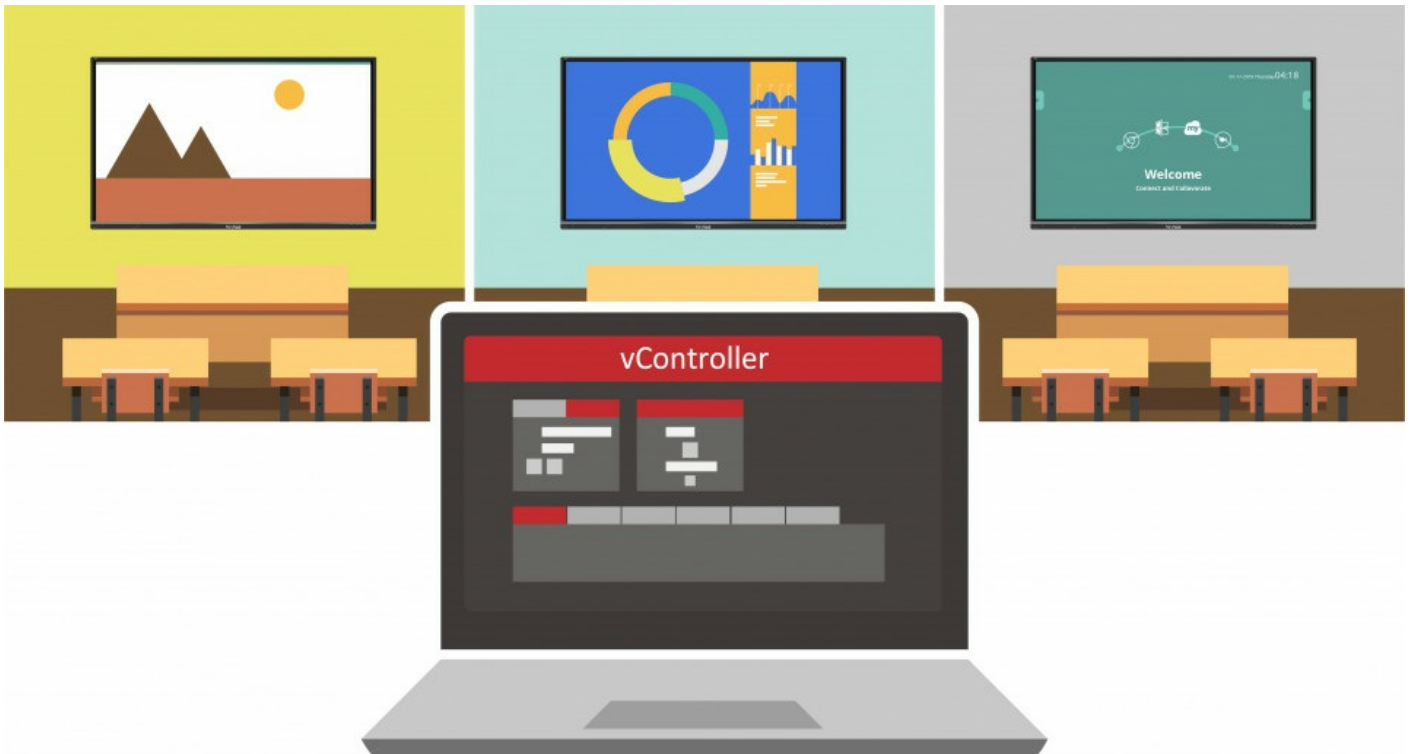
Object Recognition and Windows Ink Compatible

Make annotations, write and draw on the whiteboard, Office365 or Windows Ink. Therefore your meetings will be more collaborative and interactive.



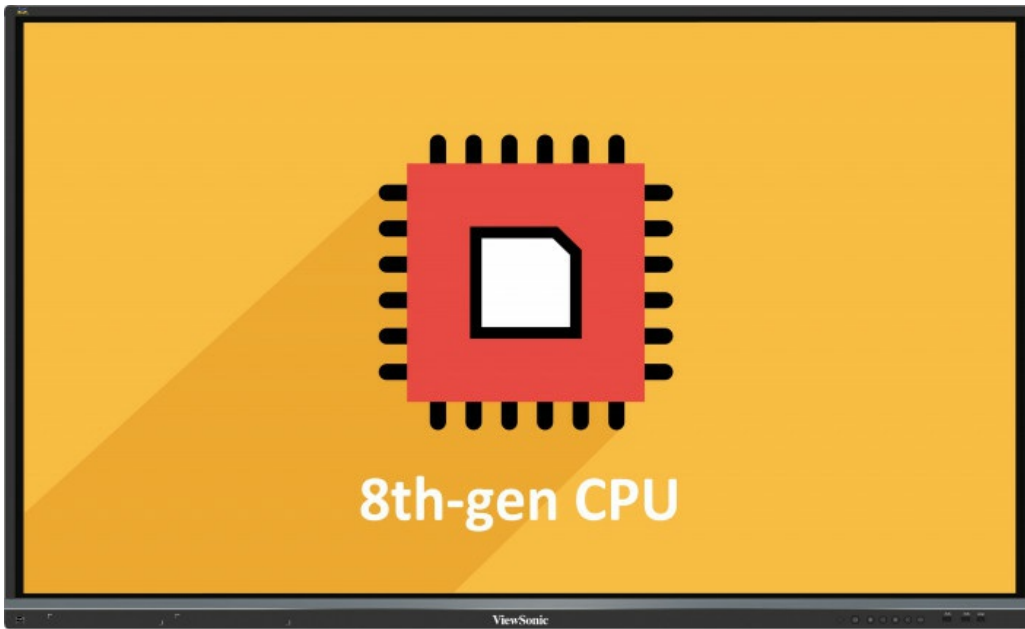
Remote Control

Built-in RS232 port and vController software for remote control.



Slot-in PC

Slot-in PC with Intel 8th-gen CPU (Optional).

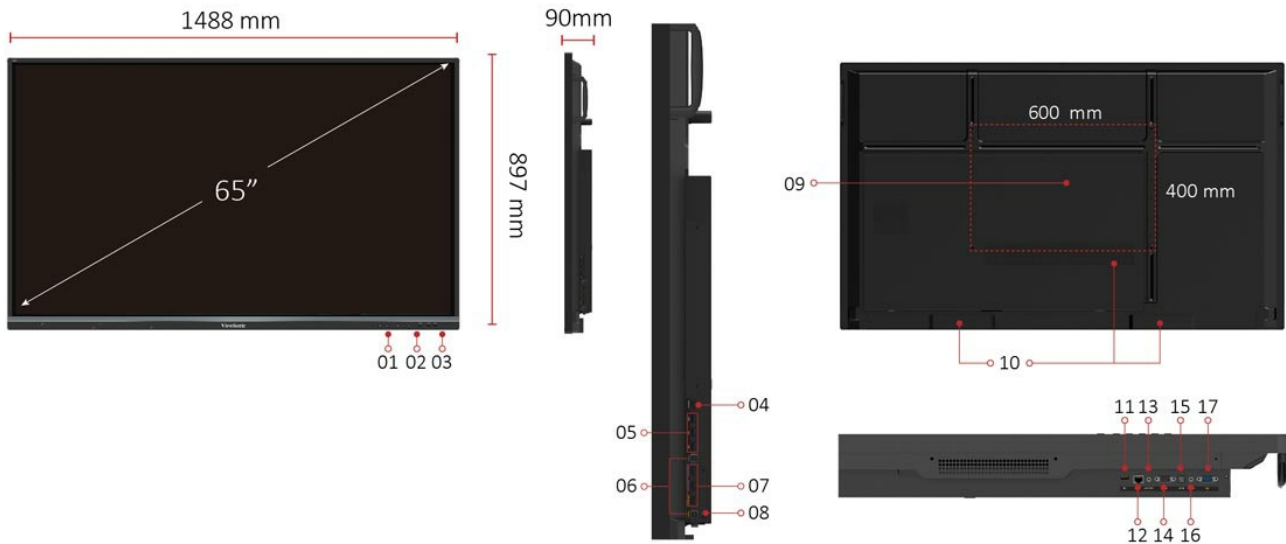


Web Camera

Top-mounted 1080p web camera (Optional).



I/O Port



1. MENU CONTROLS
2. USB 3.0
3. USB 2.0
4. HDMI OUT
5. USB 3.0
6. TOUCH
7. HDMI IN X 3
8. Wi-Fi Module Slot
9. VESA® Wall Mount 600x400mm
10. INTERNAL SPEAKERS
11. USB 2.0
12. LAN
13. Audio Out
14. RS232
15. SPDIF
16. Audio In
17. VGA

Technical Specifications

Display	Panel Size	65"
	Type/Tech	TFT LCD Module with DLED Backlight.
	Display Area (mm)	1431 (H) x 807 (V) (64.5" diagonal)
	Aspect Ratio	16:9
	Native Resolution	UHD 3840x2160 (Pixels)
	Colors	1.07B colors (10bit)
	Brightness	350 nits (typ.)
	Contrast Ratio	5000:1 (DCR)
	Response Time	8ms
	Viewing Angles	H = 178, V = 178 typ.
	Backlight Life	50,000 hrs
	Surface Treatment	Hardness: 7H, Anti-glare coating
	Bezel	Slim

Platform	Orientation	Landscape
	Processor	ARM Cortex-A73*2 + Cortex-A53*2 1.5Hz
	RAM	3GB DDR4
	Storage	32GB
Touch	Type/ Tech	IR Recognition
	Touch Resolution	32767 x 32767
	Touch Point	20 points touch, 10 points writing
INPUT	HDMI	2.0 x3 (3840x2160 @60Hz)
	RGB / VGA	x1
	Audio	x1 (PC audio in)
	RS232	x1
	OPS	x1 PC Slot (proprietary)
OUTPUT	HDMI	1x (4K/60Hz)
	Audio	x1 (Earphone out)
	SPDIF	1 (optical)
LAN	RJ45	x1
USB	Type A	USB2.0: Front x2, Rear x1 (SmartPort™ for all), USB3.0: Front x1, Rear x3 (SmartPort™ for Rear x3)
	Type B	x2, for touch
SPEAKERS		10W x 2 + 15W x 1
Top Camera Plate		Yes
COMPATIBILITY	HDMI	3840x2160
Embedded OS		Android 8
Bundle Software	Basic Annotation Software	myViewBoard
	Pro Annotation Software	myViewBoard for Windows (Embedded in Windows Slot-in PC)
Special Features	All-in-one USB port (combine Windows/Android USB port; no need to distinguish them anymore)	Front “SmartPort™ USB” to all channels.
	Simple LAN sharing between IFP and slot-in device	10M/100M/ for Android, 10M/100M/1000M for slot-in PC
Power	Voltage	100-240VAC +/- 10% Wide Range
ERGONOMICS	Wall Mount (VESA®)	600 x 400
OPERATING	Temperature (° C)	0°C to 40°C
CONDITIONS	Humidity	10% ~ 90% RH non-condensing
DIMENSIONS (W x H x D)	Physical (inch / mm)	58.6 x 35.3 x 3.5 in / 1488 x 897 x 90 mm
	Packaging (inch / mm)	65.7 x 39.8 x 8.8 in / 1669 x 1010 x 223 mm
WEIGHT	Net (lb / kg)	89.3 lb / 40.5 kg
	Gross (lb / kg)	109.6 lb / 49.7 kg
REGULATIONS		cTUVus, FCC, ES8, EPEAT, EMC/CE, CB, RoHS & DOC, REACH, WEEE, ErP, EAC, UKrSEPRO, RCM, BSMI
PACKAGE CONTENTS		1. Power cable (3 meters). x2 2. Remote control 3. USB cable (3 meters) 4. Touching pen x2 5. Quick Start Guide 6. RS232 adapter 7. Clamp x5 8. Plate 9. Screw x8 10. HDMI cable 3M
Compatible Slot-in PC		VPC14-WP series, VPC10-WP series, VPC15-

ViewSonic® Limited Warranty

ViewSonic provides customers with the security of a manufacturers warranty against defected products. The type and duration of the applicable warranty service varies by product type, country of purchase and can also vary on an individual basis according to customer requirements agreed at time of purchase. The warranty will expire after the end of the warranty period.

For more product information, visit us at **www.viewsoniceurope.com**

All rights reserved by ViewSonic Corporation. All other Corporate names and trademarks are the property of their respective companies. E&EO. All prices and specifications are subject to change without written notice. Images are for illustrative purpose only. Terms & Conditions Apply.